



FIFTY SHADOWS OF IBIZA



Unique shade design

## FIFTY SHADOWS OF IBIZA

### SOMETHING NEW UNDER THE SUN

Sun means life. The sun invites us to get outside. The sun seems to expand the world we live in. But when the sun shines just a little bit too brightly, you long for a place in the shadow. Parasol literally means 'to keep the sun out'. An umbrella GO Plus on the contrary creates shadow. It allows you to keep enjoying the sun. For both the residential and the project market, Go Plus is not afraid to reinvent existing products. Our shadow creations stand out among the rest because of their shapes and functions. They are robust, easy to open and close and they require little maintenance. Their design is accessible and playful and always comes with a cheeky smile that helps break the dullness. They are just different. They are unique, just like you. Umbrosa is your guarantee for affordable luxury, durable quality and reliable functionality. Ingeniously made shadow creations as the ultimate finishing touch in your garden or on your patio.

### ALGO NUEVO BAJO EL SOL

*El sol da la vida, nos anima a salir y hasta parece ensanchar el mundo en el que vivimos; pero cuando brilla un poco más de la cuenta, buscamos un lugar a la sombra. Ahí entran en juego los parasoles Go Plus, para que disfrute del sol de la manera más refrescante. Tanto en el mercado residencial como en el de proyectos, Go Plus no duda en reinventar los productos existentes. Nuestras creaciones destacan entre las demás por su forma y utilidad. Son sólidas, fáciles de abrir y cerrar, y requieren poco mantenimiento. Su chispeante diseño siempre ofrece una sonrisa de complicidad para romper con la monotonía. Son diferentes, únicas, como usted. Go Plus es su garantía de lujo asequible, calidad, fiabilidad y funcionalidad. Estas ingeniosas creaciones serán el exquisito toque final para el jardín o la entrada de su casa.*





## ECLIPSUM

Eye-catcher and shadow maker all in one. Already while designing it, creating shadow was not the Eclipsum's only goal. The Eclipsum is a design object, with all of the trump cards of a functional umbrella. The large, elegant ring with its design shade sail offers a tempting, artistic spectacle and reviving shadow.

La sombrilla que acapara las miradas, con un diseño tan cuidado como su función de dar sombra. Se trata de un objeto de diseño, con todas las ventajas de una sombrilla eficaz. El gran y elegante anillo, con su pantalla solar tensada, ofrece un espectáculo artístico y tentador además de una refrescante sombra.

2.769 Aprox.





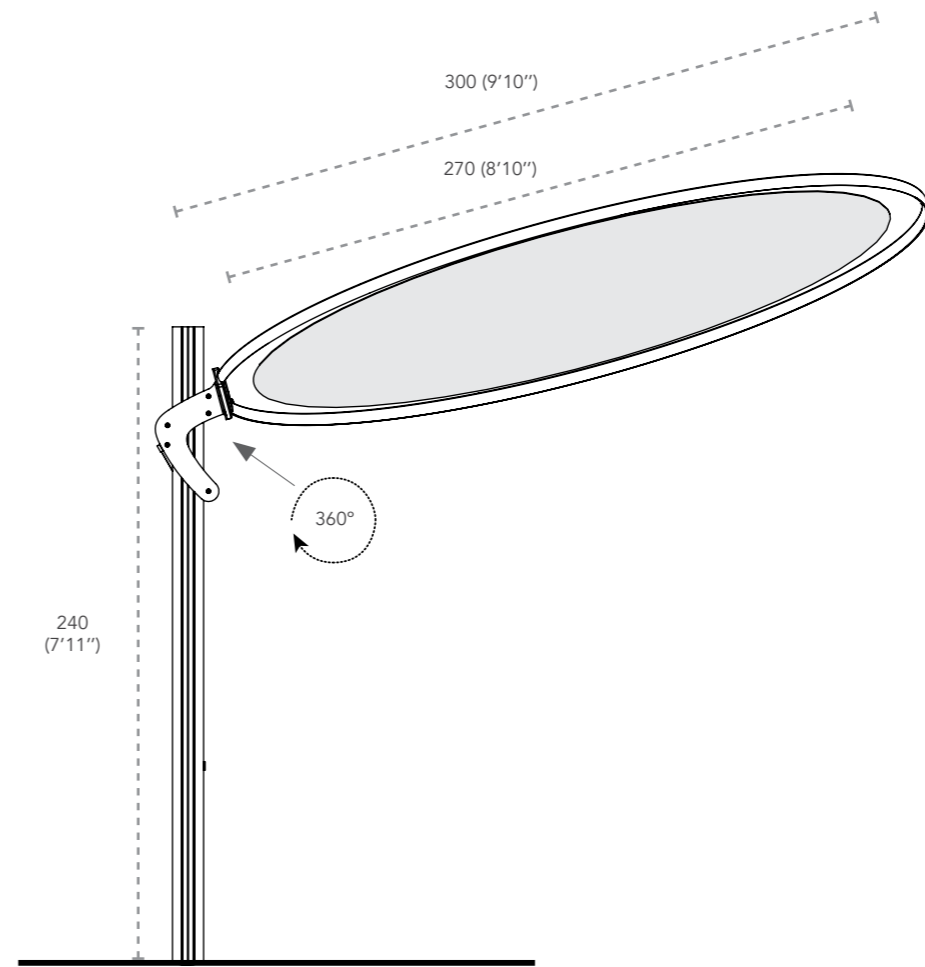




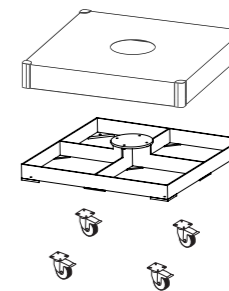


**CHARACTERISTICS**

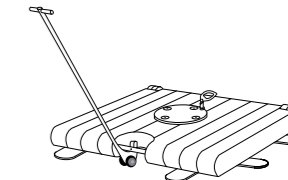
- Easy-to-use handle to adjust height
- 360° rotation of the umbrella
- Protection cover included
- Easy to remove the canopy



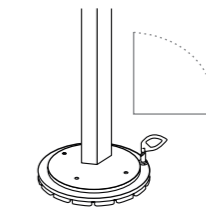
\* INCLUDED  
\*\* OPTIONAL



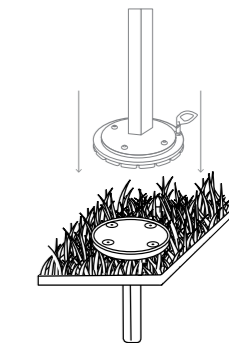
'Mobile' Tile base + Cover\*  
+ Wheelset\*



Mobile base + Lever  
+ Stabilizers\*



Rotation support\*\*



Concrete anchorage for rotation  
support\*





## INFINA

The Infina stands for rest and simplicity. Without the busy knot of ribs and visible frame, the Infina is a real gem of pure aesthetics. The visually very soothing effect provides a clean design, which throws overboard all ballast of the classic center-pole umbrella. The Infina combines a minimalistic design with maximum performance in terms of windresistance.

Infina apuesta por el descanso y la sencillez. Olvídense de las poco atractivas varillas. Infina es una pura joya del diseño y la estética. El efecto visualmente relajante que ofrece con su diseño depurado arroja por la borda todo el lastre visual de la sombrilla clásica. Infina combina un lenguaje visual minimalista con una máxima resistencia al viento.

739 Aprox.





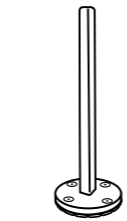
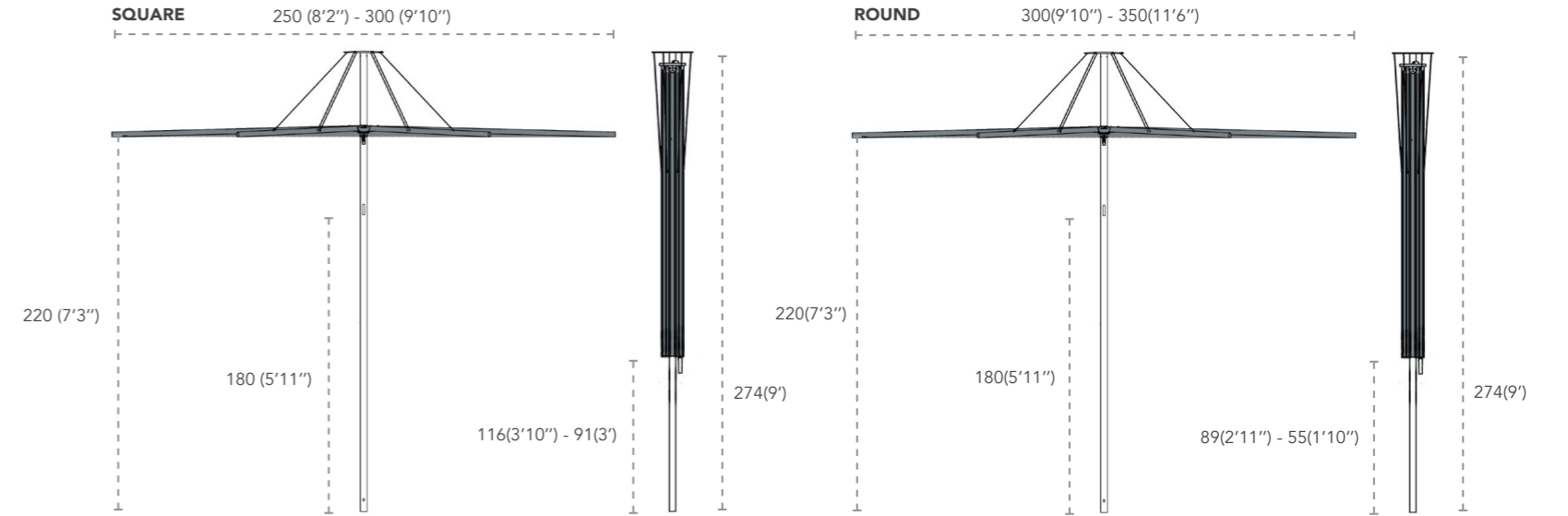




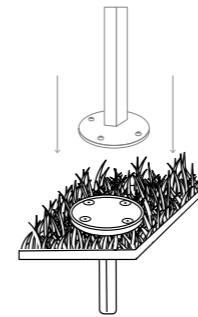


**CHARACTERISTICS**

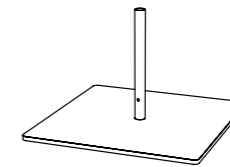
- Easy to open with rope
- Easy to "hide" the rope in pole
- Protection cover included
- Stainless steel cables
- Movable base



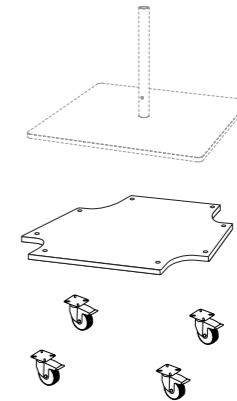
Round support\*



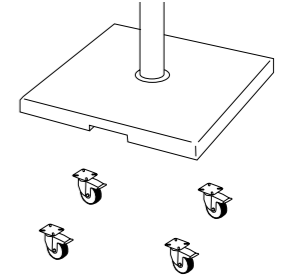
Concrete anchorage\*



Infina base



Extra weight\*  
Wheelset\*



Granite base wheelset\*

\* INCLUDED  
\*\* OPTIONAL



## ICARUS

With its Icarus, Go Plus kills two birds with one stone. Inspired by nature, we designed a shadow maker that at the same time can be used as a windscreen. The Icarus embraces and protects. It creates the safe security of a cocoon, while you can enjoy the beautiful weather to the fullest.

Con Icarus, Go Plus mata dos pájaros de un tiro. Inspirados por la naturaleza, diseñamos una sombrilla que también puede utilizarse como protección del viento. Icarus envuelve y crea un refugio de confort y seguridad, mientras usted disfruta al máximo del buen tiempo.

2.250 Aprox.





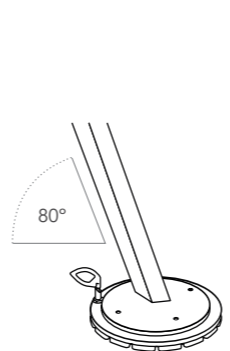
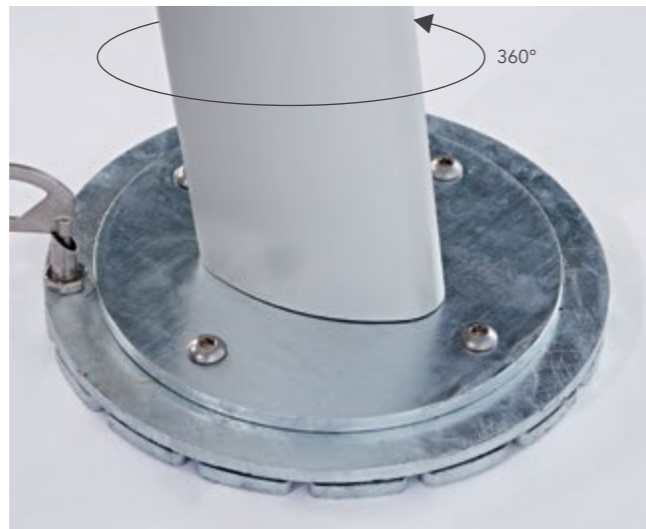
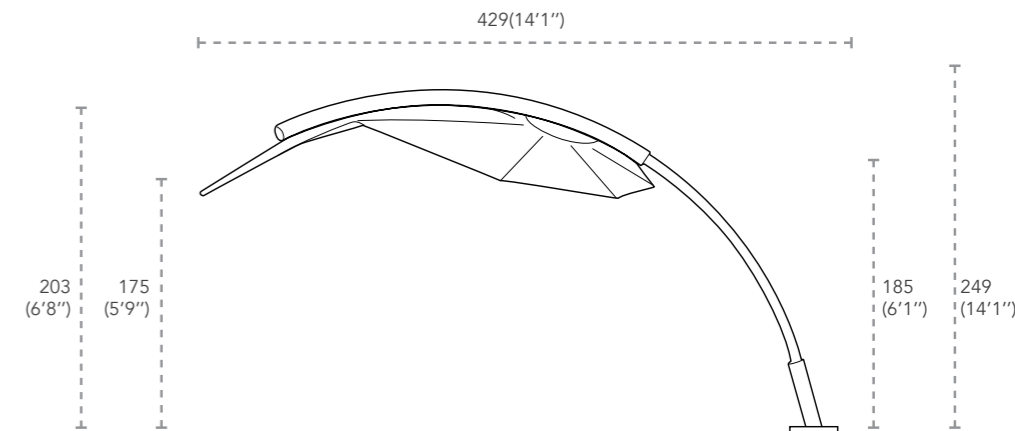
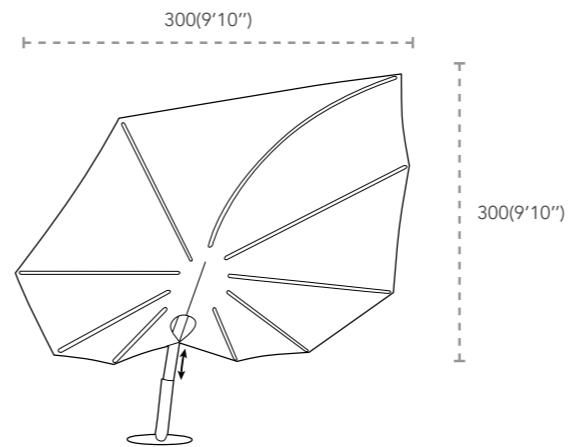




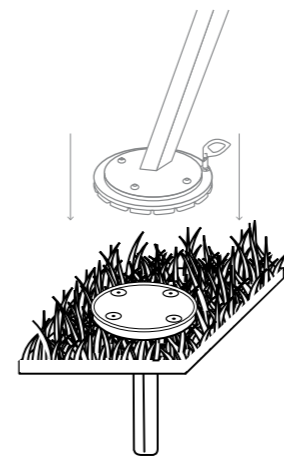


**CHARACTERISTICS**

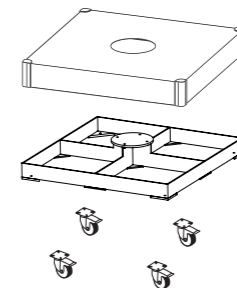
- Extendable telescopic mast
- Easy to open
- Smart design
- 360° rotation
- Protection cover included



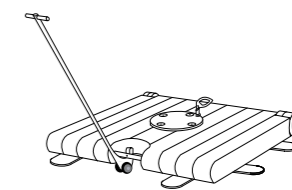
Round support\*\*



Concrete anchorage for rotation support\*\*



'Mobile' Tile base + Cover\* + Wheelset\*



Mobile base + Lever + Stabilizers\*

\* INCLUDED  
\*\* OPTIONAL





### SPECTRA

Because of its unique shape, the Spectra offers an endless variety of positions. This stunning shadow maker, both round and square, combines the beauty of the flat design with the functionality of the fan system. Thanks to this system, the umbrella closes horizontally instead of vertically. A unique and contemporary concept.

Gracias a su forma única, Spectra ofrece una interminable variedad de posiciones. Esta sombrilla rígida, redonda o cuadrada, combina la belleza de su diseño plano con la amplia funcionalidad del sistema abanico. Gracias a este sistema, la sombrilla se puede doblar horizontalmente. Un concepto único y contemporáneo.

1.669 Aprox.









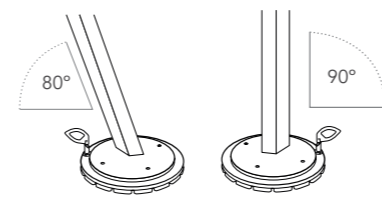
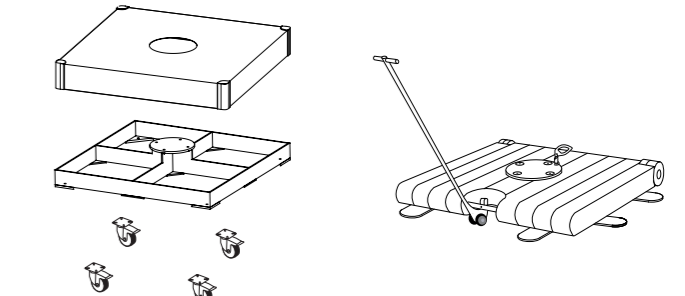
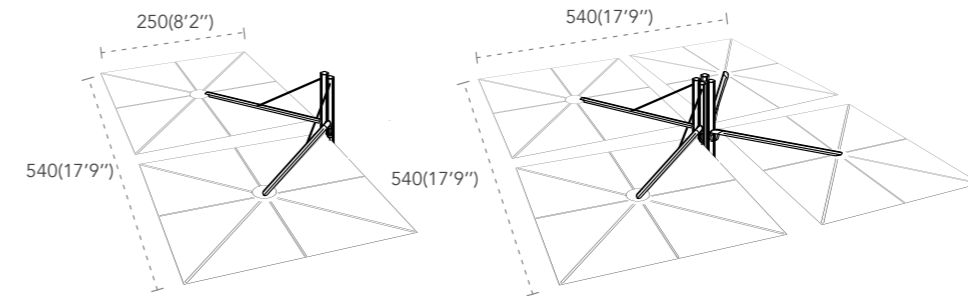
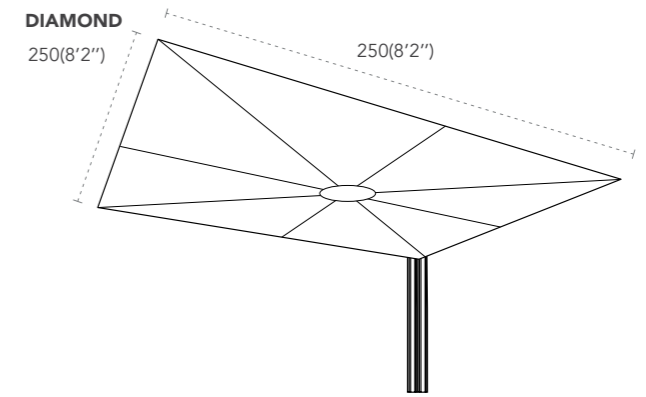
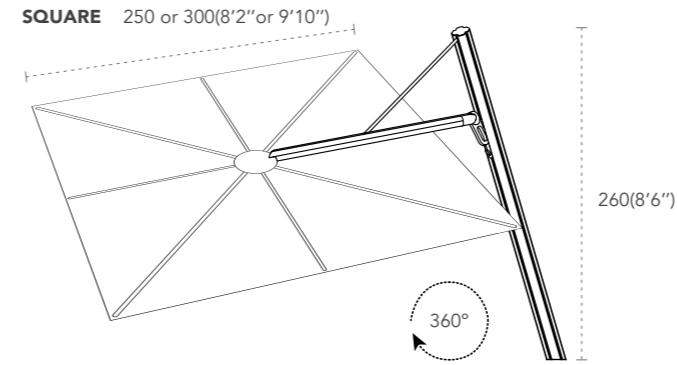
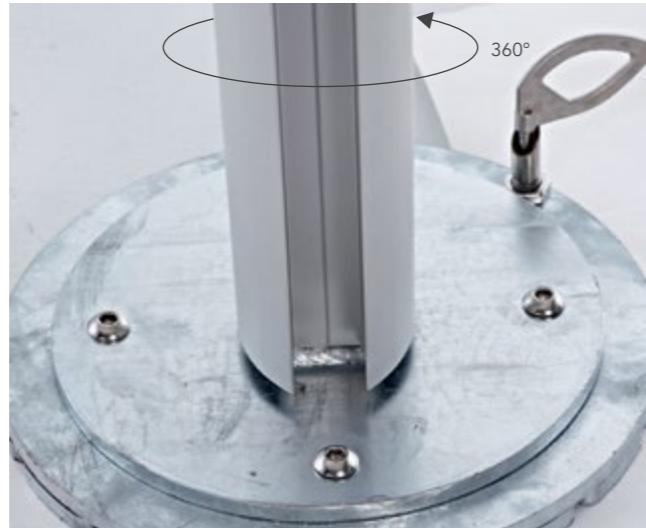




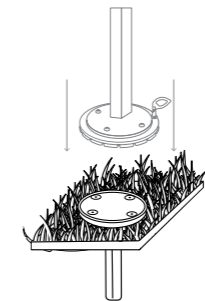


**CHARACTERISTICS**

- Endless positioning
- Easy-to-use handle for tilting
- Accordion folding
- 360° rotation
- Protection cover included

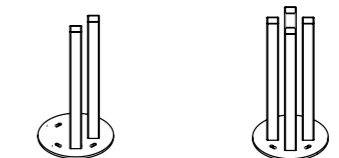


Rotation support\*\*



Concrete anchorage for rotation support\*

'Mobile' Tile base + Cover\*  
+ Wheelset (only for mono spectra)\*



Spectra duo

Specrea multi

\* INCLUDED  
\*\* OPTIONAL



## RIMBOU VENUS & LOTUS

The Lotus and Venus meet the individual desire for shade. Inspired by the natural shape of a leaf, both shadow makers offer you your own place in the shade.

Lotus y Venus son sombrillas para una persona. Inspiradas en la forma natural de una hoja, ambas le ofrecen un lugar privilegiado bajo el sol.

Rimbo Venus 899 Aprox.  
Rimbo Lotus 979 Aprox.



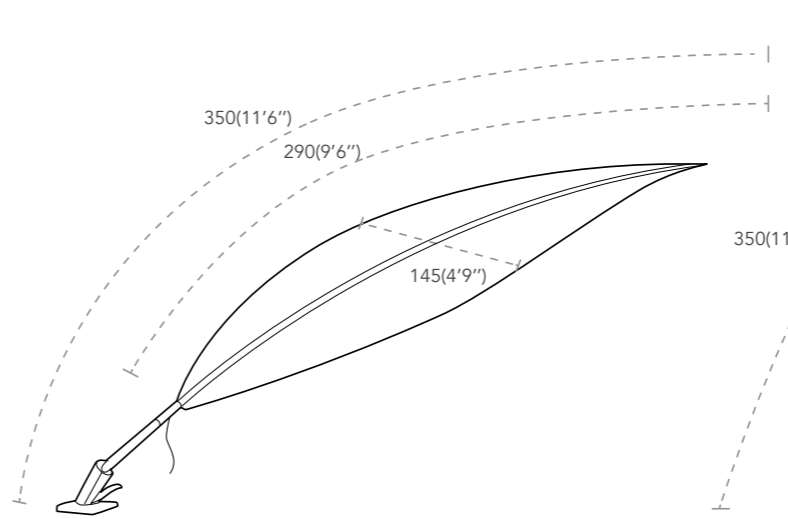




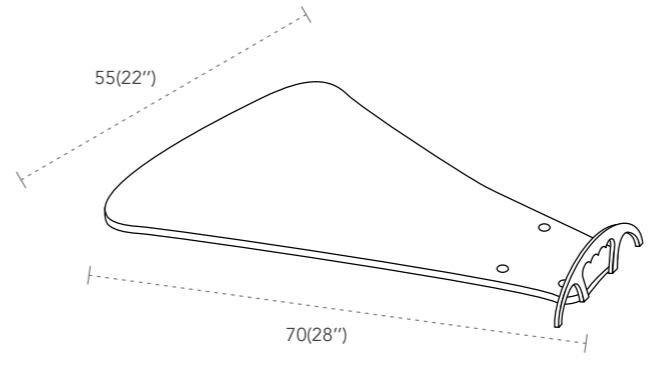
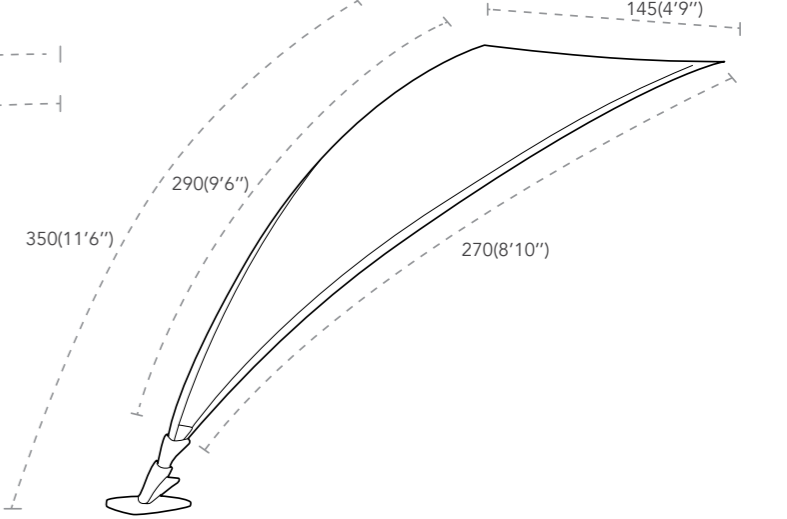




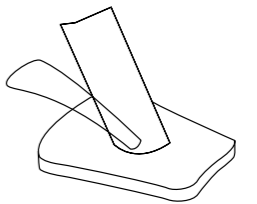
RIMBOU LOTUS



RIMBOU VENUS



Movable base\*  
weight: 26 kg - 57lb/ with wheels



Fixed base  
Surface fitting\*\*

**CHARACTERISTICS**

- Endless positions
- Mobile base with adjustable handle
- 3 Protection cover included

\* INCLUDED  
\*\* OPTIONAL





#### INGENUA

Go Plus also offers an easy solution for larger surfaces. Thanks to the ingenious sliding mechanism of the Ingenua, you can easily adapt the sail to the circumstances and the environment. The simple lines and modern shapes of the Ingenua are combined with an excellent performance in terms of wind-resistance.

Incluso cuando se busca sombra para zonas más grandes, Go Plus ofrece una solución a escala humana. Gracias al ingenioso mecanismo deslizante de Ingenua, puede adaptarse fácilmente al todo a las circunstancias y al entorno. Las modernas formas y líneas moderadas de Ingenua se combinan con una excelente resistencia al viento.

1.027 Aprox













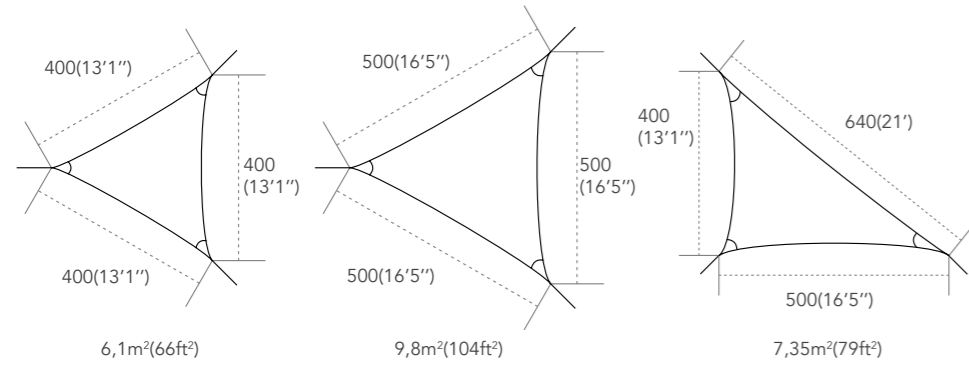


#### CHARACTERISTICS

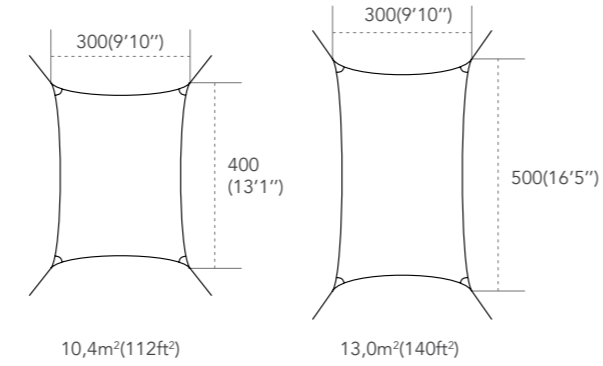
Height adjusting slider mechanism  
Quality finish  
Easy tension



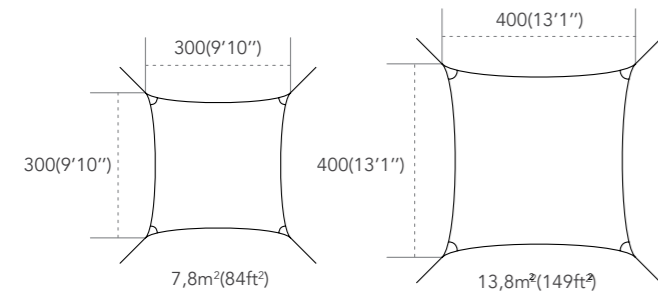
**TRIANGLE**



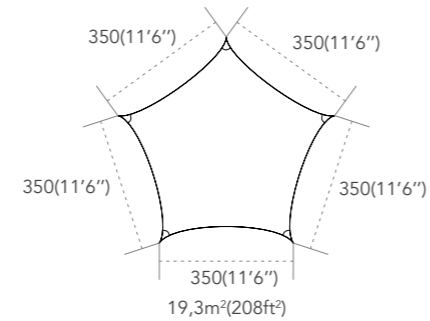
**RECTANGLE**



**SQUARE**

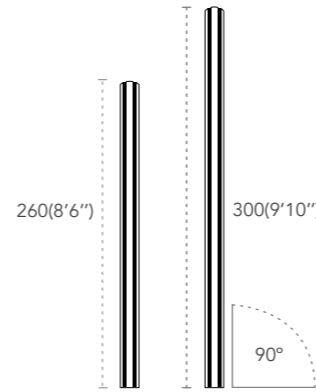


**PENTA**

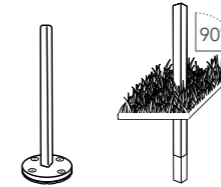


**POLE INSTALLATION**

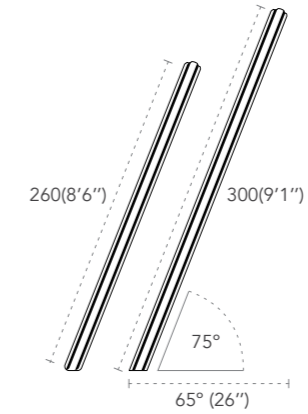
**POSITIONING 90°**



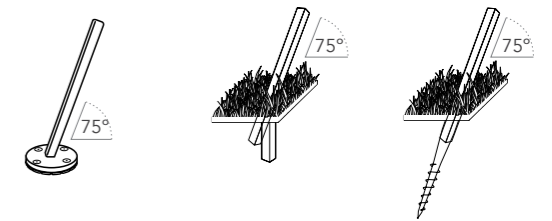
**INSTALLATION 90°**



**POSITIONING 75°**

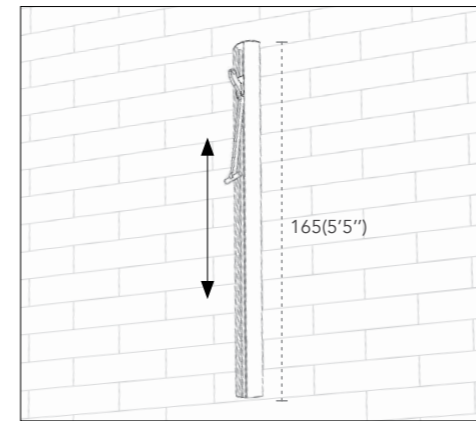


**INSTALLATION 75°**

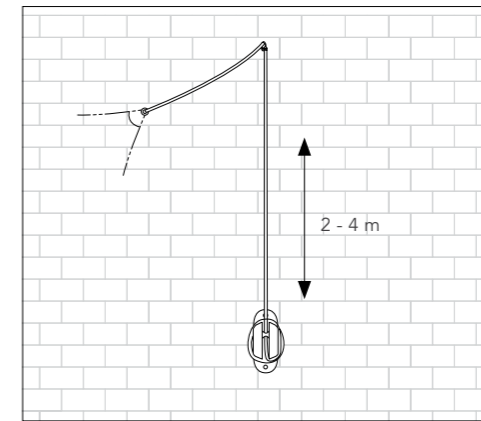


**WALL INSTALLATION**

**WALL MOUNT**



**WALL KIT**





## PARAFLEX

Nothing beats the versatility of the human body. As a result, for the Paraflex, we let ourselves be inspired by the manoeuvrability and strength of the human arm. A spacesaving solution, without a base and without a pole, which offers you the possibility to create shadow wherever you want it, by means of one, two or more umbrellas, according to your needs. The light and compact Paraflex offers maximum shade and is highly windresistant.

Nada supera la versatilidad del cuerpo humano. Por ello, al diseñar el Paraflex nos inspiramos en la maniobrabilidad y la fuerza del brazo humano. Se trata de una solución que ahorra espacio, sin base ni barra, que le permite disfrutar de sombra donde usted quiera, con una o dos sombrillas, según sus necesidades. Ligera y compacta, ofrece una amplia zona de sombra y es altamente resistente al viento.

550 Aprox.





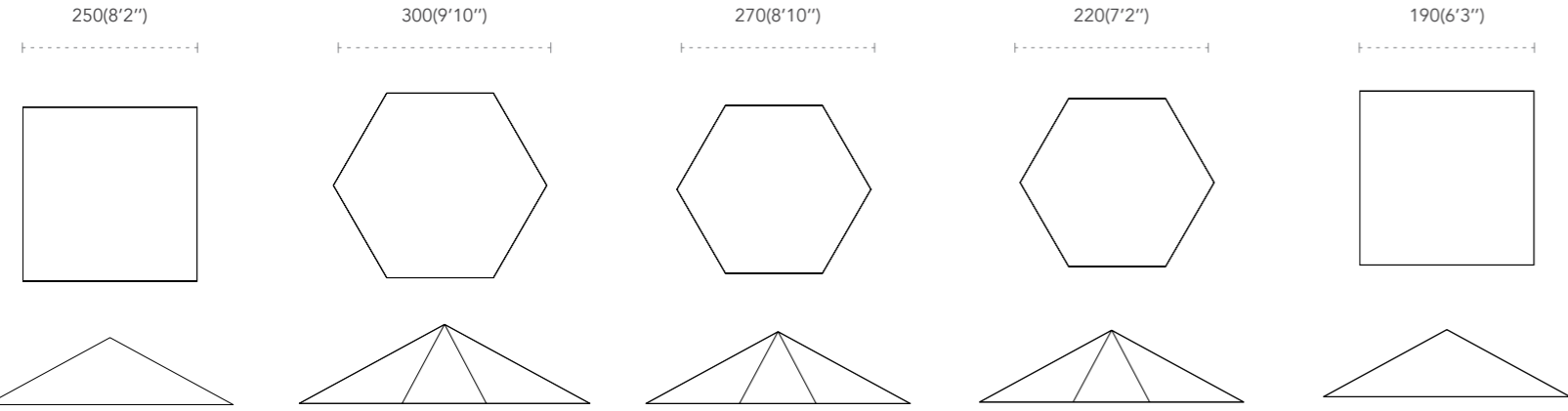






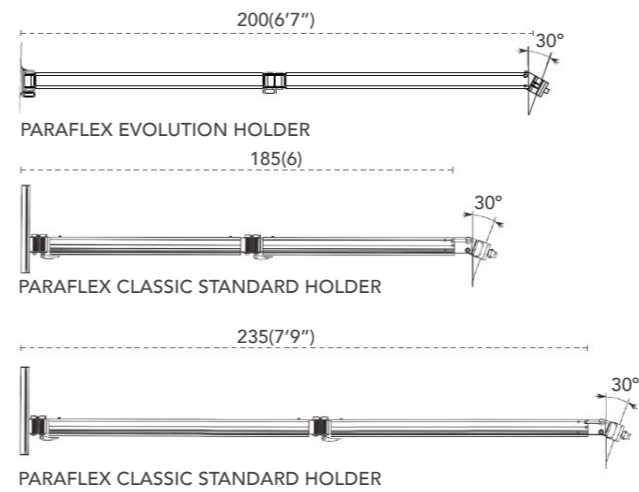
**CHARACTERISTICS**

- Movable shade
- 2 30° tilt
- 3 High quality frame

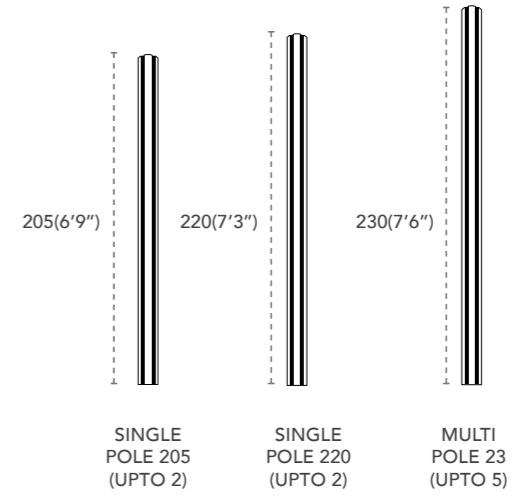


250 SQUARE PARAFLEX EVOLUTION    300 ROUND PARAFLEX EVOLUTION    270 H1E90X (6A'3G") ONAL PARAFLEX    220 HEXAGONAL PARAFLEX    190 SQUARE PARAFLEX

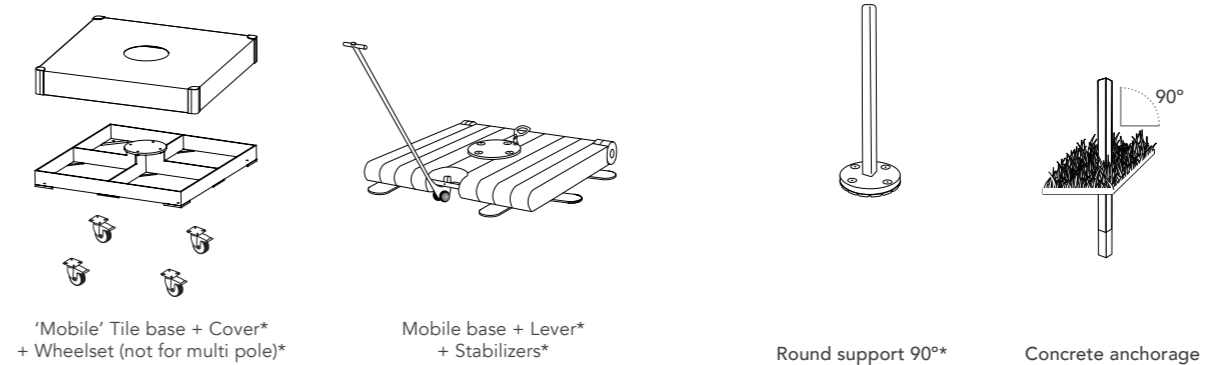
**FLEXIBLE ARM**



**POLE OPTIONS**



**POLE INSTALLATION**



\* INCLUDED  
\*\* OPTIONAL





## ETNA

For the first time, Go Plus has introduced light in its range. The Etna is a portable and multifunctional LED light, able to be adjusted in multiple colors to create the perfect outdoor atmosphere. Not only is the Etna fixable to almost any outdoor structure, it is completely waterproof and can be used for atmospheric lighting in the swimming pool. Average duration is 8-10 hours and includes charger and remote control.

Es la primera vez que Go Plus introduce una luz en su surtido. Etna es una luz móvil con tecnología led, muy segura, multifuncional e impermeable, que entrega una buena iluminación. Puede adaptar el color a la medida del ambiente requerido. Etna queda bien con el espíritu del siglo móvil contemporáneo y ofrece luz donde se necesita. Puede fijar la luz a la lona, al mástil metálico, a la mesa, a la silla, etc. También puede ser usada como iluminación ambiente en un sector húmedo como los entornos de la piscina. Su carga permite una autonomía de 8 a 10 horas, la que se repone fácilmente con su sistema de inducción.

249 Aprox.





ATTACHMENT



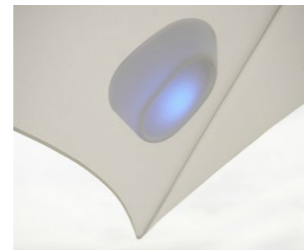
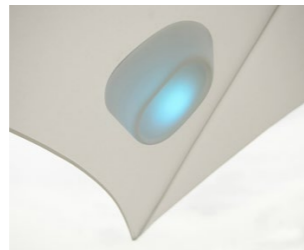
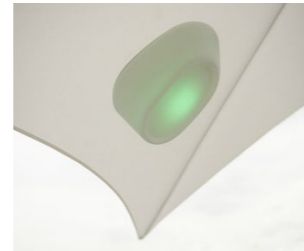
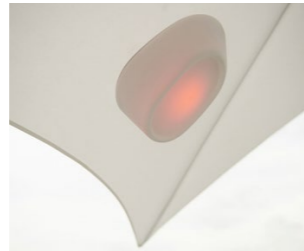
FLEXIBLE USE



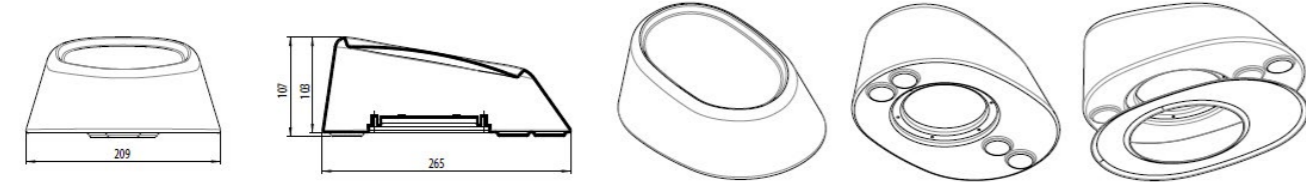
VARIATION OF COLORS



CHARGING



DIMENSIONS



BASES



MOBILE BASE + LEVER

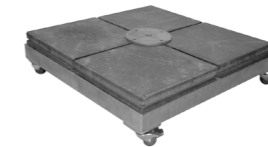
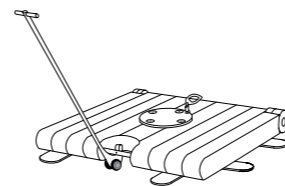
Mono Paraflex & Paraflex Evolution / Spectra

Material: concrete

Dimensions: 80 x 80 x 8,5 (32" SQ x 3-1/3")

Weight: 120 kg (264 lbs)

Lever included.  
Stabilizer feet (optional): Necessary for use with Eclisum, Spectra 300, Icarus, Paraflex multiflex & duoflex



'MOBILE' TILE BASE

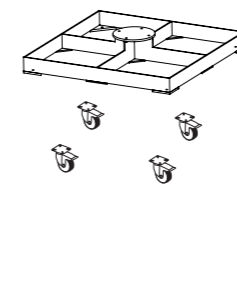
Paraflex / Paraflex Evolution / Spectra / Eclisum / Icarus

Material: galvanised steel

Dimensions: 85 x 85 x 15 (34 SQ x 6")

Weight: 190 kg (418 lbs) (tiles included)

Wheelset optional (tiles not included)(do not use for Paraflex multi and Spectra duo & multi)



'MOBILE' TILE BASE + COVER

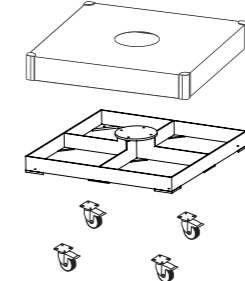
Paraflex / Paraflex Evolution / Spectra / Eclisum / Icarus

Material: galvanised steel + anodized aluminum / alutop\*

Dimensions: 86 x 86 x 15 (34" SQ x 6")

Weight: 200 kg (440 lbs) (tiles included)

Wheelset optional (tiles not included) (do not use for Paraflex multi and Spectra duo & multi)



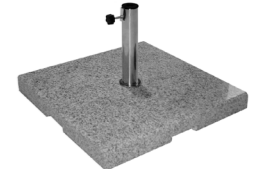
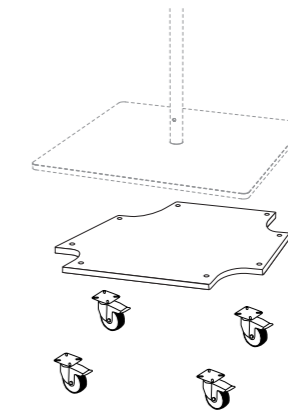
INFINA BASE

Material: galvanised steel + anodized aluminum

Dimensions: 60 x 60 x 1,6 (24" SQ x 5/8")

Weight: 40 kg (88 lbs)  
optional: extra weight 20 kg

Wheelset optional



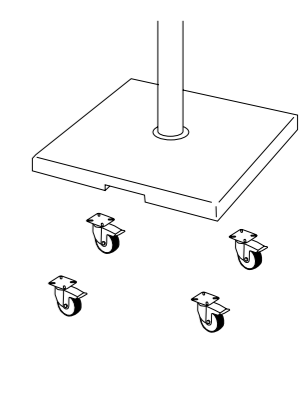
GRANITE BASE

Material: galvanised steel + anodized aluminum

Dimensions: 60 x 60 x 1,6 (24" SQ x 5/8")

Weight: 40 kg (88 lbs)  
optional: extra weight 20 kg

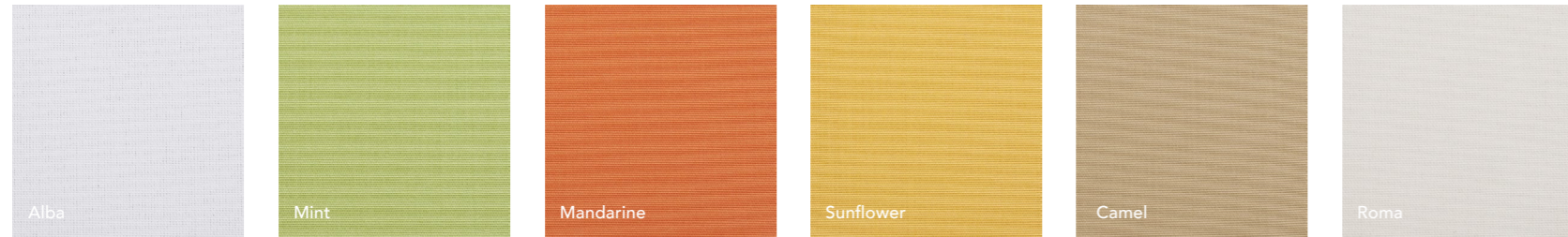
Wheelset optional





FABRICS & COLOURS

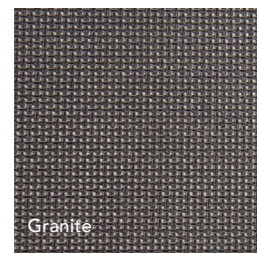
PREMIUM



LIMITED EDITION



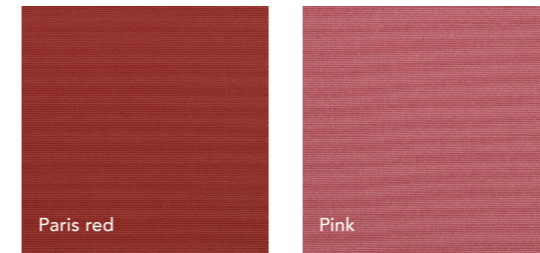
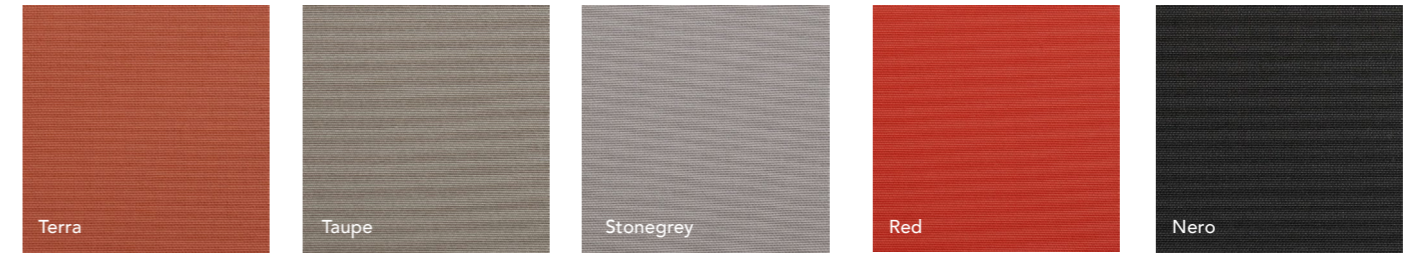
SUNVISION



AIRTEX



POLE SAMPLES



OLEFINE 190 G/M<sup>2</sup>  
100% SUNBRELLA ACRYL 270 G/M<sup>2</sup>



SPECTRA · White / Aluminium / Black



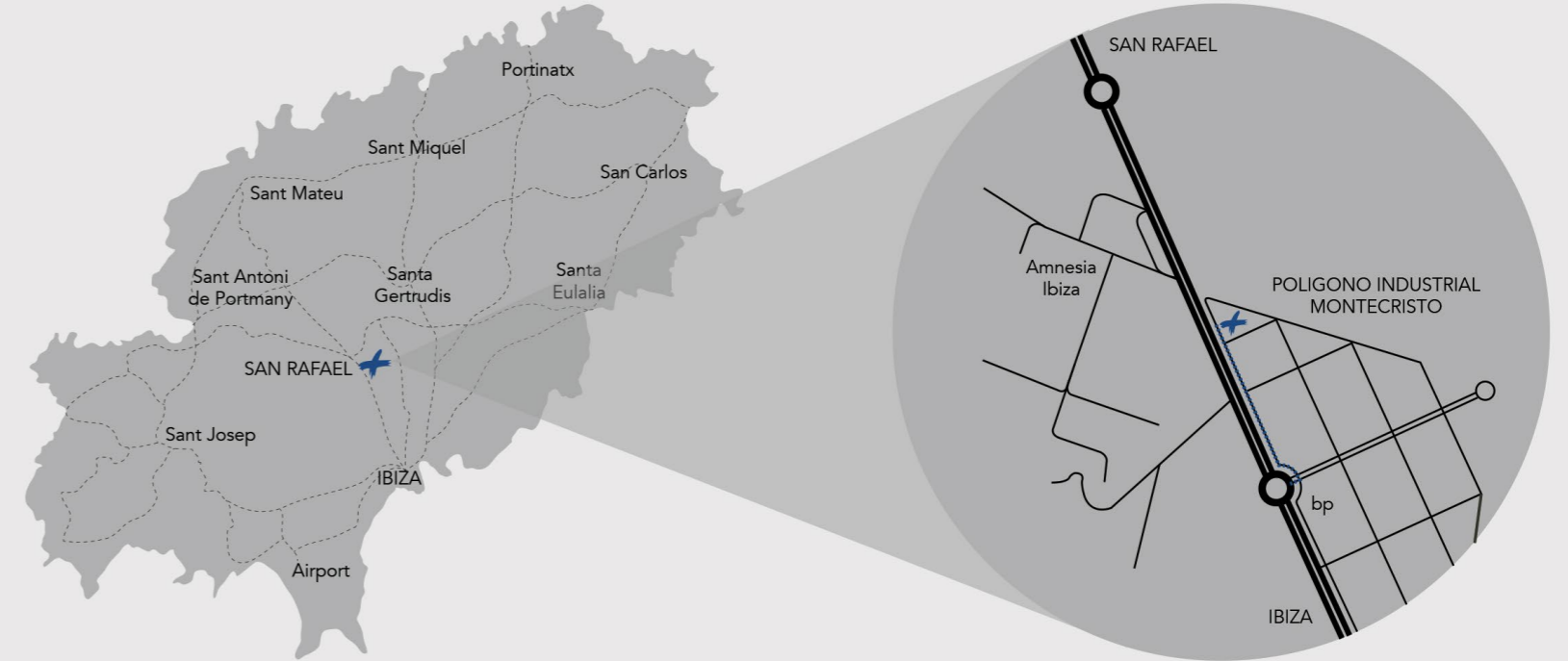
INGENUA · Brushed stainless steel / White / Aluminium / Black





MORE THAN MATERIALS

GO+ studio is aimed at professionals as engineers, architects or developers, and individuals in the construction industry, home improvements and interior design. With products from over 500 national and international manufacturers, we supply the finest: Porcelain, ceramic, natural stone and hardwood tiles. Paper and textile wall coverings and light fixtures. Indoor / outdoor furniture, taps and sanitary ware.



GO+ [www.goplus.es](http://www.goplus.es) +34 971 338 565 [info@goplus.es](mailto:info@goplus.es) · c/ Llauradors n1, nave 3. Poligono Industrial Monte Cristo, San Rafael, Ibiza. Islas Baleares 07816





